

APSOvib® – HD Machine mounts ≥ 50 kg



The name APSOvib® stands for the demand and cost optimized implementation of every vibration-related technical challenge. Outstanding application know-how and the large APSOvib® range of vibration elements provide the basis for this.

With the new APSOvib® HD machine mounts ≥ 50 kg, specially designed for compressors and light machines, you achieve optimal vibration insulation. Thanks to the rubber sealing lips, the contact faces are completely sealed against outside media.

Areas of application

APSOvib® HD machine mounts ≥ 50 kg are used for uncoupling electrical drives or compressors. Due to the effective insulation, even low-frequency vibrations are kept away from buildings and machines.

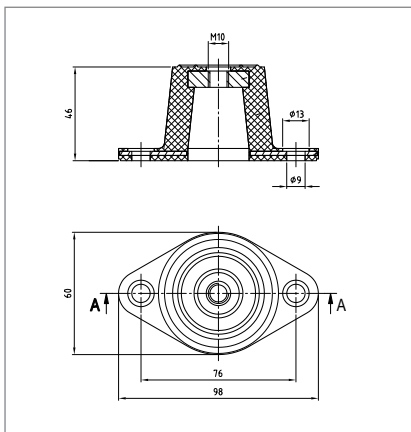
Range of application

- The two sizes cover a load capacity of 38 kg to 400 kg
- A tuning frequency of up to 6 Hz can be achieved



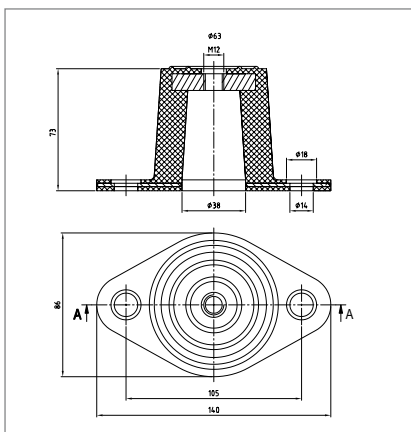
Our contact details:

Angst+Pfister AG
apsovib@angst-pfister.com
www.angst-pfister.com



APSoVib® HD Machine mounts ≥ 50 kg – Type 3

Type	Static load F_z N	Deflection s_z mm	Stiffness c_z N/mm
ML HD 3-38	380	6	63
ML HD 3-120	1200	6	200
ML HD 3-320	3200	6	533



APSoVib® HD Machine mounts ≥ 50 kg – Type 4

Type	Static load F_z N	Deflection s_z mm	Stiffness c_z N/mm
ML HD 4-60	600	6	100
ML HD 4-190	1900	6	317
ML HD 4-400	4000	6	667

Material elastomer

NR

Material shell

Steel, zinc plated, chromated

EU standard

Compliant to 2002/95/EG (RoHS)